



ScreenScout DOOH

Presented By
nixies India technologies LLP

Introduction

ScreenScout DOOH systems allow users to achieve deeper automation, analysis, and integration within a system by improving its reach and accuracy. Our Digital signage uses screen technologies such as LCD, LED or projection to display contents such as digital images, video, streaming media, and information. It's a cloud-based digital signage platform that helps you schedule and display content affordably & professionally from the central location.

The implementation of our improved hardware with PIR sensor which detects the presence of the audience and power saving mode makes ScreenScout work as a smart digital signage system. ScreenScout acts as the heart of the system and makes things run with better performance and power efficiency.

Why ScreenScout ?

ScreenScout is a Server based channel which works on a Platform of Digital Advertisement & Branding, by Publishing corporate Video Ads , Digital Content , Designed With Current updates,Public awareness programs, Live News,Cricket updates & much more entertaining content on Digital Screens.

CORE FEATURES

- ★ Display any type of content on your screens quickly and easily.
- ★ Show Your Media on Screen in Seconds.
- ★ Harness the power of videos , audio & images and make your message memorable.
- ★ You can display documents, YouTube & livestream videos.
- ★ Offline working & fast synchronizing .
- ★ Easy Scheduling & Screen Management
- ★ Set different content schedules to target the right viewers, at the right time.
- ★ Manage thousands of screens and upload & display content remotely from your PC, using our online platform.
- ★ Extreme Security & Reliability
- ★ Enterprise-grade security includes SSL, firewall and password policies, Player lock-down & storage encryption features.
- ★ Align your digital signage with your corporate security protocols.

Why ScreenScout should be your First Choice?

- ★ Make your content shine immediately with our Plug & Play ScreenScout device.
- ★ The ScreenScout device is plug & play-ready. Our complete kit comes with everything you need and it's preconfigured for your WiFi or Data SIM or Data Card. No tech savvy required, we promise!
- ★ Our ScreenScout device supports all standard resolutions, including Full-HD or UHD.
- ★ Got a different screen orientation? It's a breeze to select the type of orientation you want.
- ★ Cloud based centralized system for Easy to manage & schedule.

What do you get extra from ScreenScout?

★ Intuitive Scheduling

Show different content during different hours or days, to target specific groups of customers or clients you want to attract and changing a schedule is a breeze. Easily plan ahead, for as long as you need.

★ Remotely Turn Off Screens

Need to turn off your screens during off-hours? Do it remotely, to save power and extend your screen's life. ScreenScout supports CEC-enabled screens! Save money with digital signage features and benefits.

★ Total Remote Screen Management

Manage everything, from your content to your Players, right from the online Portal. Upload, update and display new content remotely. Troubleshoot remotely if needed, as well, with our detailed status updates.

★ Auto-Upgrades & Remote Support

All our software upgrades happen automatically over the internet, so you get new features, hassle-free. Need tech support? Just fill in the in-app form and our tech support team will help you out remotely.

★ Extreme security & reliability

Have total control of the online content and Device, rely on our security features, and enjoy a digital signage solution you can trust.

Secure our device to prevent any tampering that could potentially be used to attack your network. Lockdown can be activated remotely, and there's no need to be physically present. All our digital signage features and benefits come with excellent security.

Restrict your users to only connect to your account from the designated IP addresses. IP address restrictions can be set on both a global and a per user level. Get security with digital signage features and benefits

Where can you use ScreenScout ?

From retail to restaurants, healthcare to education, digital signage gets your message to the right people at the right time.

Restaurants, Cafes and Bars

Create vibrant menu boards, cross-sell items and schedule seasonal promotions.

Transportation

Engage and inform commuters with real-time transport updates and useful content.

Offices

Streamline communication and accelerate collaboration.

Education

Foster enriched learning environments that keep students informed & promote a sense of community.

Events

Promote events, advertise opportunities, help with wayfinding and get your message across.

Retail

Showcase sales, deals and new arrivals in your store to stimulate purchases.

Hospitality

Create a dazzling guest experience and upsell your amenities.

Healthcare

Enhance your patients' and visitors' experience with awareness campaigns & wayfinding.

Menu Board

Maximize profits through your digital menu boards

Dashboard Display

Elevate your team's productivity with digital signage dashboards

Media Display

Play media files on TV to engage your customers, students or guests

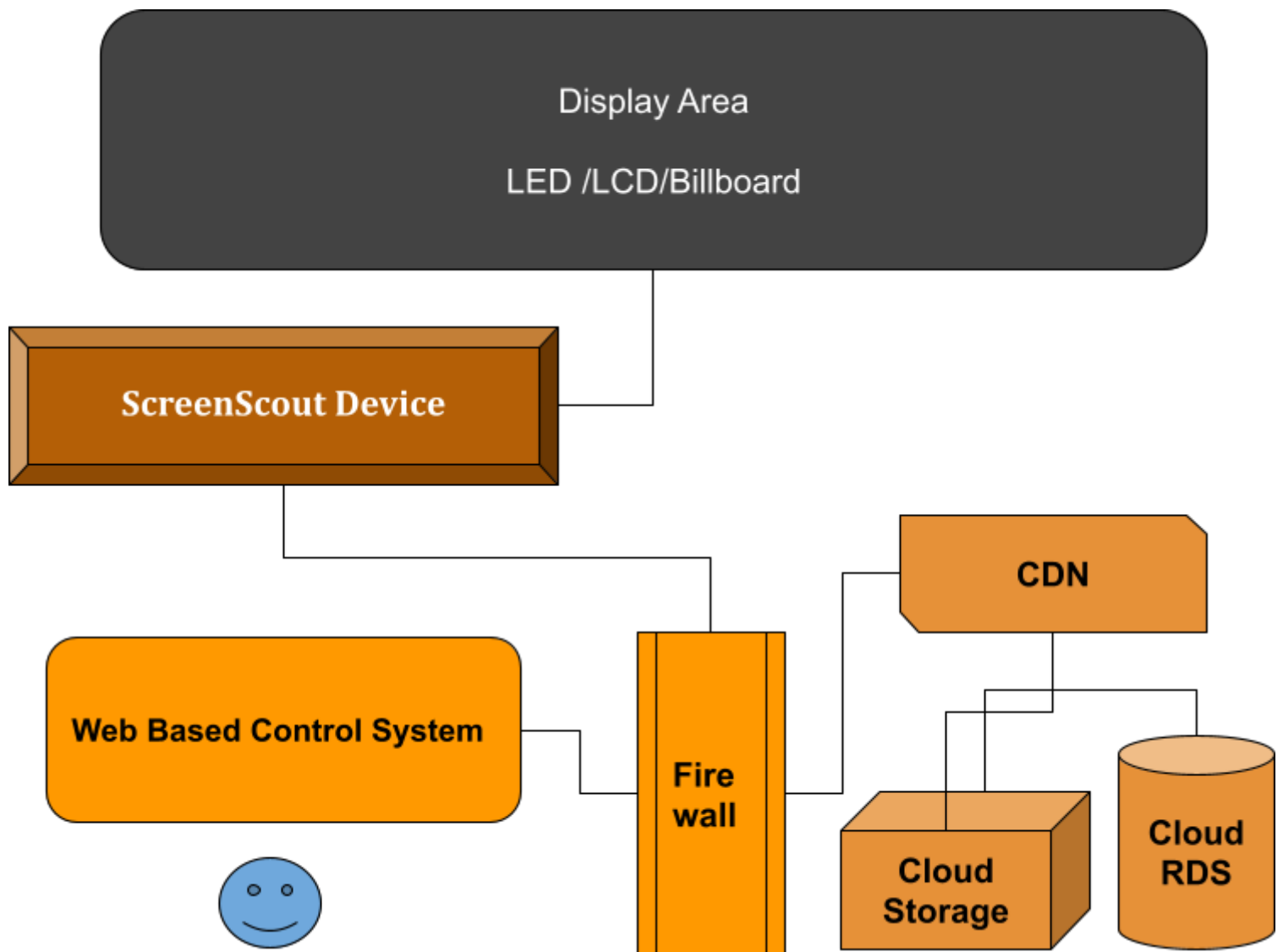
Wayfinding

Transform the visitor experience with wayfinding digital signage

Meeting Room

Meeting room digital signage powers up your office screens

How It Works



So why you wait for

Get Started with ScreenScout Unlock the power of digital signage with our easy, professional and affordable solution.

Contact us

Nixies India Technologies LLP

301-Sector C , Lakeview Apartment , Behind Bansal Hospital ,Bhopal ,MP

info@nixiesindia.com, marketing@nixiesindia.com

+91-8462006255 | +91-9826389111

Thank You

You accept and agree to our terms and conditions.

All rights reserved. No part of this document may be reproduced, distributed, or transmitted in any form or by any means, including photocopying, recording, or other electronic or mechanical methods, without the prior written permission of the nixies india technologies LLP, except in the case of brief quotations embodied in critical reviews and certain other noncommercial uses permitted by copyright law. For permission requests, write to us info@nixiesindia.com.

The main terms of the licence in the terms and conditions are as follows.

1. Unless you have paid for the right to use the relevant document without the included credit (attribution) text, you can not change , edit this document.
2. Subject to this point, you can not edit and amend the documents to render them suitable for your purposes.
3. You must not sell or re-distribute the documents or derivatives thereof.
4. We give no warranties or representations concerning documents, and accept no liability in relation to the use of the documents.